

haasCONNECT Digital Switch Interface



BEFORE YOU BEGIN

Read these instructions completely and carefully.



WARNING

RISK OF ELECTRIC SHOCK

- Turn power off before inspection, installation or removal



In case of miswiring the digital bus, mains can be present on the device. Make sure electricity is switched off before inspection.

RISK OF FIRE

- Follow all relevant IEC instructions and local building codes

IMPORTANT

To ensure the product warranty is valid, please ensure all installation instructions and environmental conditions for storage and operation are complied with.

Only Haas & Schmidt Lighting trained contractors are allowed to install the product.

BG Българската версия на инструкциите за инсталация и информация за безопасност могат да бъдат намерени на следния адрес:

HR Hrvatska verzija priručnika za ugradnju i sigurnosnih informacija nalazi se na sljedećoj lokaciji:

CS Návod k montáži a bezpečnostní informace v češtině najdete zde:

DA Den danske version af installationsvejledningen og sikkerhedsoplysninger kan findes på følgende placering:

NL De Nederlandse versie van de installatie-instructies en veiligheidsinformatie kan op de volgende locatie worden gevonden:

ET Eestikeelse paigaldusjuhendi ja ohutusnõuded leiate aadressilt:

EN The English version of the installation instruction and safety information can be found at the following location:

FI Asennusohjeiden ja turvallisuusettietojen suomenkielinen versio löytyy seuraavasta paikasta:

FR La version française des instructions d'installation et informations de sécurité est disponible à l'adresse suivante :

DE Die deutsche Version der Installationsanleitung und Sicherheitsinformationen finden Sie in folgendem Verzeichnis:

EL Μπορείτε να βρείτε την ελληνική εκδοχή των οδηγιών εγκατάστασης και των πληροφοριών ασφάλειας στην εξής τοποθεσία:

HU A telepítési útmutató és a biztonságos információk magyar nyelvű változata az alábbi címen található:

IT La versione italiana del manuale di installazione e sicurezza può essere reperita nella seguente sezione:

LV Uzstādīšanas instrukciju un drošības informāciju latviešu valodā var atrast šeit:

LT Lietuvišką diegimo instrukcijos ir saugos informacijos versiją galima rasti šioje vietoje:

PL Polską wersję instrukcji instalacji oraz informacje dotyczące bezpieczeństwa można znaleźć w następującej lokalizacji:

PT A versão em Português das instruções de instalação e das informações de segurança pode ser encontrada na seguinte localização:

RO Versiunea în limba română a instrucțiunilor de instalare și a informațiilor de siguranță pot fi găsite la:

SK Slovenskú verziu montážnej príručky a bezpečnostných inštrukcií nájdete na nasledujúcej lokalite:

SL Slovenska različica navodil za namestitev in varnostnih navodil se nahaja na naslednji strani:

ES La versión española de las instrucciones de instalación y la información sobre seguridad puede encontrarse en la siguiente ubicación:

SV Ni hittar den svenska versionen av installationsanvisningarna och säkerhetsinformationen på följande plats:

Product overview

haasCONNECT Digital Switch Interface is a single-cable communication capable device which works seamlessly with other haasCONNECT Digital system components. The device is powered through haasCONNECT Digital Controller's communication line, no auxiliary power supply needed. The device translates the human lighting control switching interactions into digital signals. Any Normally Open (NO) push-button types can be used, please contact Haas & Schmidt Lighting for more information.

The switch behavior is user-configurable using the haasCONNECT PRO iOS application.

Technical data

Key functions

Dimensions	15 x 35 x 7mm (0.591x1.378x0.276 inch) + connected cables
Weight	10g (without push-buttons)
Power rating	Max 3mA @ 24V DC, EU Class II, (average 1,5mA 18V)
Switch type	Up to 9 push-buttons can be connected. Connecting less push-buttons is possible.
Operating Environment	0°C to 45°C / IP 20 – Indoor, dry location
Connections	Cable connection to one of the Digital Controller Buses. Powered through the Controller Bus.
Mounting	Mounting behind the wall-switch.
Warranty	5 years

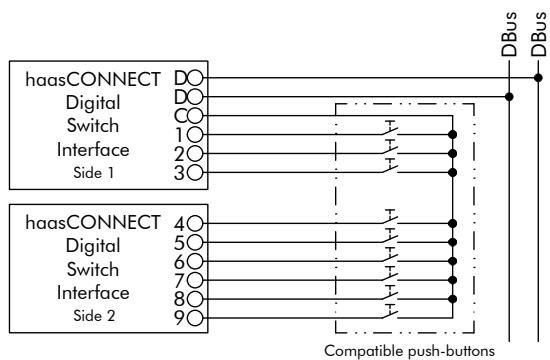
Product availability

SKU	Description	Article No.
603020201	haasCONNECT Digital Switch Interface	HL-HC-DI-03

Product Certifications



Wiring diagram

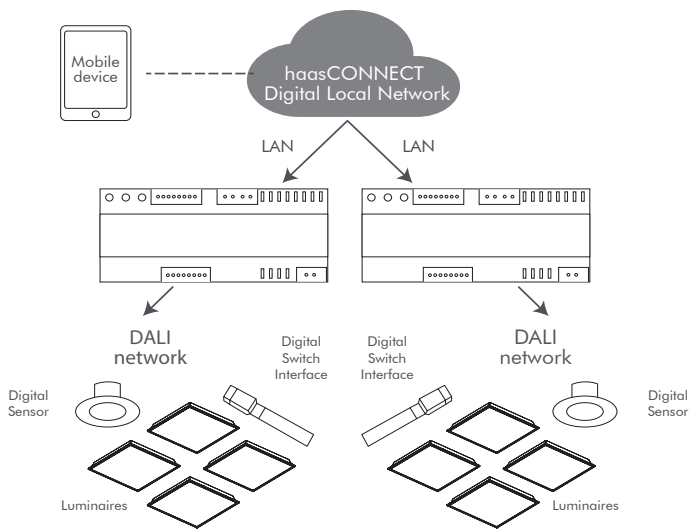


DBus - connections to haasCONNECT Digital Controller Digital bus channel

D - Digital Bus connections to switch
 C - push-button common connection
 1 to 9 - connections to push-buttons

haasCONNECT Digital Switch Interface for up to 9 push-buttons

System connection overview



haasCONNECT Digital system components:

haasCONNECT Digital Controller	SKU: 603010201
haasCONNECT Digital Switch Interface	SKU: 603020201
haasCONNECT Digital Sensor Recessed	SKU: 603030201
haasCONNECT Digital Sensor Surface Mounted	SKU: 603031201

