



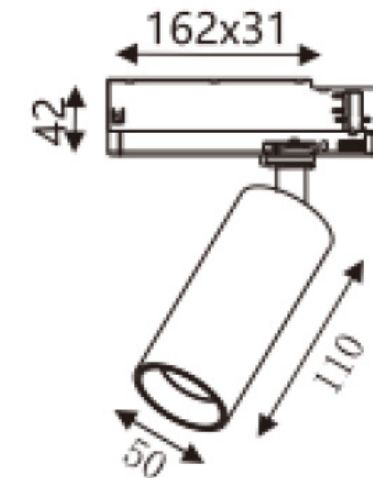
OMEGA TRACK SPOT 50

DATASHEET

OMEGA TRACK SPOT 50



COLOR OPTIONS



PRODUCT DATA

Size : D50 x 110mm
 Weight : 0,4 kg
 Materials : Housing : Aluminium
 Optic: Polycarbonate
 Optic : Lens, Reflector
 Light distribution : 15°, 24°, 36°, 50°
 Driver : FIX, DALI, Bluetooth (inside the luminaire)
 Ambient temperature : 0 / + 35 °C
 Lifetime : L80B10 - 60 000 hours
 Installation : Track mounted, surface mounted



TECHNICAL SPECIFICATION

CODE	POWER	CRI	CCT	LUMEN
TS50x110	12 W	> 90	2700 K	920 lm
TS50X110	12 W	> 90	3000 K	980 lm
TS50x110	12 W	> 90	4000 K	1020 lm

Order example:

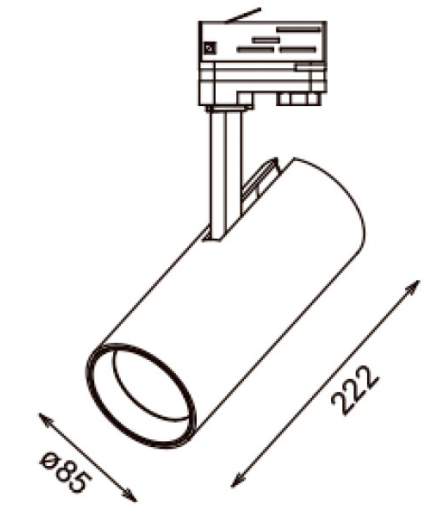
TS50x110	-	Power	-	CRI / CCT	-	Beam	-	Color	-	Driver	-	Option
TS50x110	-	12	-	930	-	36	-	9003	-	FIX	-	XYZ

DATASHEET



OMEGA TRACK SPOT 85

OMEGA TRACK SPOT 85



220 - 240V
50 - 60Hz

CE

ON OFF

BLUE TOOTH

DALI

McA 3

IP 20

COLOR OPTIONS

BLACK
RAL 9003

WHITE
RAL 9005

GREY
RAL 9006

VARIOUS
COLORS

Reflector

Honey comb

Barn door

Anti-glare ring

TECHNICAL SPECIFICATION

CODE	POWER	CRI	CCT	LUMEN
TS85x222	25 W	> 90	2700 K	2450 lm
TS85x222	25 W	> 90	3000 K	2600 lm
TS85x222	25 W	> 90	2700 - 6500K + RGB	2450 lm

Order example:

TS85x220	-	Power	-	CRI / CCT	-	Beam	-	Color	-	Driver	-	Option
TS85x220	-	25	-	TWRGB	-	36	-	9003	-	FIX	-	XYZ

PRODUCT DATA

Size : D85 x 222mm
 Weight : 0,8 kg
 Materials : Housing : Aluminium
 Optic: Polycarbonate
 Optic : Lens
 Light distribution : 24°, 36°, 55°
 Driver : FIX, DALI, Bluetooth (inside the luminaire)
 Ambient temperature : 0 / + 35 °C
 Lifetime : L90B10 - 60 000 hours
 Installation : Track mounted, surface mounted

