

DATASHEET



C A R D A N I C S P O T

CARDANIC SPOT



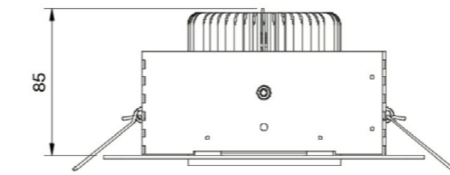
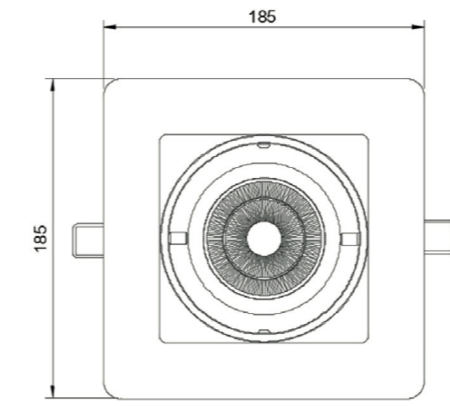
COLOR OPTIONS



PRODUCT DATA

Size : 185 x 185 x 85 mm  
 Weight : 1,2 kg  
 Materials : Frame : Natural solid wood  
 Reflector: Polycarbonate  
 Luminaire head: Aluminium  
 Housing: Metal  
 Optic : Shielded lens 12°, 24°, 38°, 55°  
 Light distribution : Direct  
 Driver : FIX, DALI, Bluetooth (inside ceiling)  
 Ambient temperature : 0 / + 35 °C  
 Lifetime : L80B10 - 60 000 hours  
 Installation : ceiling recessed  
 Ceiling cutout : 165 x 165 mm

TECHNICAL SPECIFICATION



CODE	POWER	CRI	CCT	LUMEN
CS	16 W	> 90	2700 K	1300 lm
CS	16 W	> 90	3000 K	1400 lm
CS	16 W	> 95	3200 K	1300 lm
CS	16 W	> 90	4000 K	1600 lm
CS	28 W	> 95	2700 K	2200 lm
CS	28 W	> 90	3000 K	2400 lm
CS	28 W	> 95	3200 K	2200 lm
CS	28 W	> 90	4000 K	2700 lm

Order example:

CS	-	Power	-	CRI / CCT	-	Beam	-	Color	-	Driver	-	Option
CS	-	16	-	930	-	55	-	9005	-	FIX	-	XYZ

DATASHEET



C A R D A N I C T W I N

CARDANIC TWIN SPOT



220 - 240V  
50 - 60Hz

ON  
OFF

BLUE  
TOOTH

DALI

MCA  
3

IP  
20

COLOR OPTIONS

BLACK  
RAL 9003

WHITE  
RAL 9005

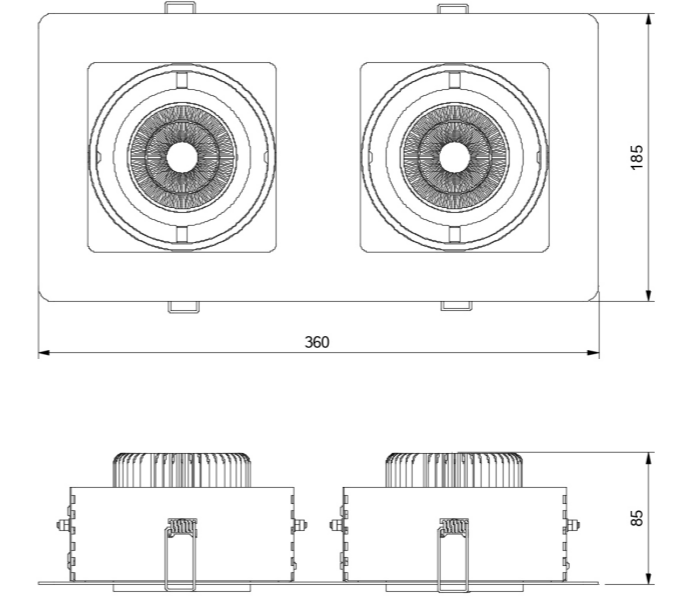
GREY  
RAL 9006

VARIOUS  
COLORS

PRODUCT DATA

Size : 360 x 185 x 65 mm  
 Weight : 2,4 kg  
 Materials : Frame : Natural solid wood  
 Optic: Polycarbonate  
 Luminaire head: Aluminium  
 Optic : Shielded lens 12°, 24°, 38°, 55°  
 Light distribution : Direct  
 Driver : FIX, DALI, Bluetooth (inside ceiling)  
 Ambient temperature : 0 / + 35 °C  
 Lifetime : L80B10 - 60 000 hours  
 Installation : ceiling recessed  
 Ceiling cutout : 340 x 165 mm

TECHNICAL SPECIFICATION



CODE	POWER	CRI	CCT	LUMEN
CTS	2 x 16 W	> 90	2700 K	2 x 1300 lm
CTS	2 x 16 W	> 90	3000 K	2 x 1400 lm
CTS	2 x 16 W	> 95	3200 K	2 x 1300 lm
CTS	2 x 16 W	> 90	4000 K	2 x 1600 lm
CTS	2 x 28 W	> 95	2700 K	2 x 2200 lm
CTS	2 x 28 W	> 90	3000 K	2 x 2400 lm
CTS	2 x 28 W	> 95	3200 K	2 x 2200 lm
CTS	2 x 28 W	> 90	4000 K	2 x 2700 lm

Order example:

CTS	-	Power	-	CRI / CCT	-	Beam	-	Color	-	Driver	-	Option
CTS	-	16	-	930	-	55	-	9005	-	FIX	-	XYZ



C A R D A N I C R O U N D

CARDANIC ROUND



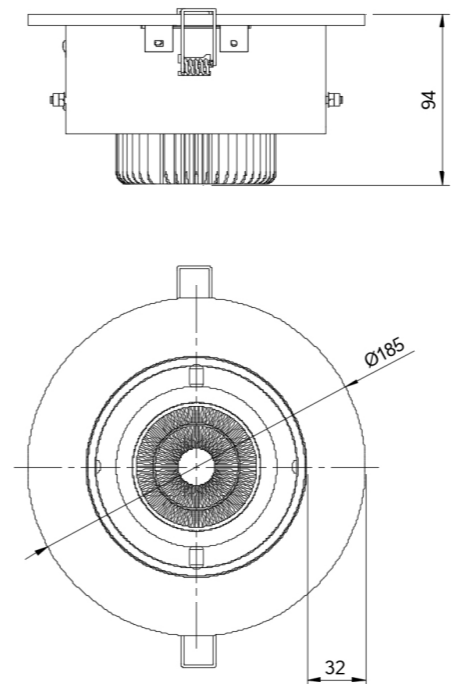
COLOR OPTIONS



PRODUCT DATA

Size : D185 x 65 mm  
 Weight : 1,2 kg  
 Materials : Frame : Natural solid wood  
 Optic: Polycarbonate  
 Luminaire head: Aluminium  
 Optic : Shielded lens 12°, 24°, 38°, 55°  
 Light distribution : Direct  
 Driver : FIX, DALI, Bluetooth (inside ceiling)  
 Ambient temperature : 0 / + 35 °C  
 Lifetime : L90B10 - 60 000 hours  
 Installation : ceiling recessed  
 Ceiling cutout : D 165 mm

TECHNICAL SPECIFICATION



CODE	POWER	CRI	CCT	LUMEN
CSR	2 x 16 W	> 90	2700 K	1300 lm
CSR	2 x 16 W	> 90	3000 K	1400 lm
CSR	2 x 16 W	> 95	3200 K	1300 lm
CSR	2 x 16 W	> 90	4000 K	1600 lm
CSR	2 x 28 W	> 95	2700 K	2200 lm
CSR	2 x 28 W	> 90	3000 K	2400 lm
CSR	2 x 28 W	> 95	3200 K	2200 lm
CSR	2 x 28 W	> 90	4000 K	2700 lm

Order example:

CSR	-	Power	-	CRI / CCT	-	Beam	-	Color	-	Driver	-	Option
CSR	-	16	-	930	-	55	-	9005	-	FIX	-	XYZ

DATASHEET



C A R D A N I C T R A C K S P O T



TRACK SPOT

220 - 240V  
50 - 60Hz

CE

ON OFF

BLUE TOOTH

DALI

MCA 3

IP 20

COLOR OPTIONS

BLACK  
RAL 9003

WHITE  
RAL 9005

GREY  
RAL 9006

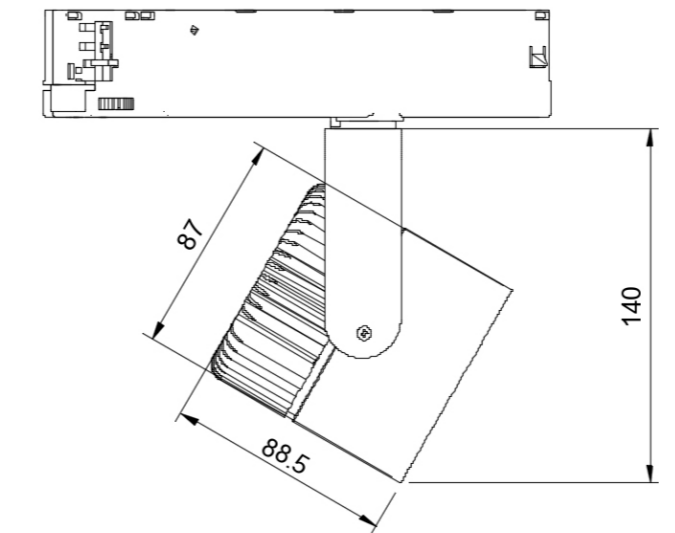
VARIOUS  
COLORS

PRODUCT DATA

Size : D87 x 89 mm  
 Weight : 0,8 kg  
 Materials : Housing: Aluminium  
 Optic: Polycarbonate  
 Luminaire head: Aluminium  
 Optic : Shielded lens 12°, 24°, 38°, 55°  
 Light distribution : Direct  
 Driver : FIX, DALI, Bluetooth (inside ceiling)  
 Ambient temperature : 0 / + 35 °C  
 Lifetime : L90B10 - 60 000 hours  
 Installation : track mounted

TECHNICAL SPECIFICATION

CODE	POWER	CRI	CCT	LUMEN
TS	2 x 16 W	> 90	2700 K	1300 lm
TS	2 x 16 W	> 90	3000 K	1400 lm
TS	2 x 16 W	> 95	3200 K	1300 lm
TS	2 x 16 W	> 90	4000 K	1600 lm
TS	2 x 28 W	> 95	2700 K	2200 lm
TS	2 x 28 W	> 90	3000 K	2400 lm
TS	2 x 28 W	> 95	3200 K	2200 lm
TS	2 x 28 W	> 90	4000 K	2700 lm



Order example:

TS	-	Power	-	CRI / CCT	-	Beam	-	Color	-	Driver	-	Option
TS	-	16	-	930	-	55	-	9005	-	FIX	-	XYZ