

**DALI-2 Touchpanel 8P DA2**

Operating and control unit



**Product description**

- \_ Capacitive DALI-2 Touchpanel with 8 freely programmable touch buttons
- \_ Suitable for integration and in combination with DALI-2 compliant central control units (e.g.: Tridonic products sceneCOM evo and sceneCOM S)
- \_ Multi-master compatible: Multiple control modules are possible in a DALI system
- \_ Power supply via DALI line
- \_ Two colour variants available: black (28004783) and white (28004782)
- \_ 5 years guarantee (conditions at <https://www.tridonic.com/manufacturer-guarantee-conditions>)

DALI Touchpanel 8P DA2 WH



DALI Touchpanel 8P DA2 WH



DALI Touchpanel 8P DA2 BK

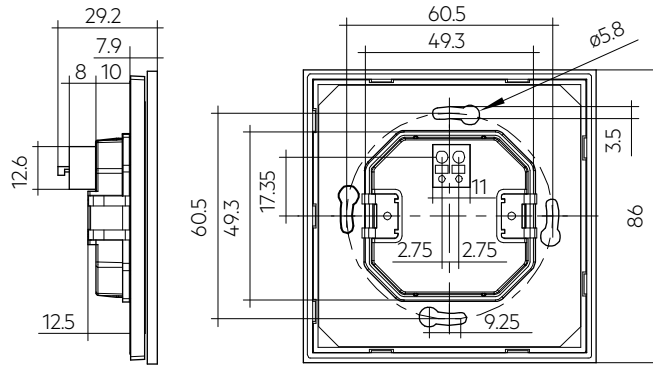
**Website**

<http://www.tridonic.com/28004782>



**DALI-2 Touchpanel 8P DA2**

Operating and control unit

**Ordering data**

Type	Article number	Packaging, carton	Weight per pc.
Touchpanel 8P DA2 WH	28004782	10 pc(s).	0.12 kg
Touchpanel 8P DA2 BK	28004783	10 pc(s).	0.12 kg

**Technical data**

Supply via	DALI cable
Supply voltage <sup>①</sup>	9,5 – 22,5 V
Current draw <sup>②</sup>	2 mA
Interface	DALI
Starting time	< 150 ms
Ambient temperature t <sub>a</sub>	-20 ... +50 °C
Max. casing temperature t <sub>c</sub>	75 °C
Storage temperature t <sub>s</sub>	-20 ... +50 °C
Humidity	5 ... max. 85 % (non-condensing)
Type of protection	IP20
Housing material	PC
Housing colour	RAL 9010 (white) / RAL 9005 (black)
Mounting	Mounting box 60 x 40 mm (ø x d)
Dimensions L x W x H	86 x 86 x 29,2 mm
Guarantee (conditions at <a href="http://www.tridonic.com">www.tridonic.com</a> )	5 Year(s)

**Approval marks****Standards**

EN 55015, EN 61347-1, EN 61347-2-11, EN 61547, EN 62386-101, EN 62386-103, EN 62386-301

① U<sub>in</sub> acc. IEC 62386-101.

② Max. current draw is 10 mA.

1. Standards

- EN 55015
- EN 61347-1
- EN 61347-2-11
- EN 61547
- EN 62386-101 Ed.2.0
- EN 62386-103 Ed.2.0
- EN 62386-301 Ed.2.0

1.1 DALI note



Device is developed according to DALI Standard EN 62386-101 Ed.2, also known as DALI-2.

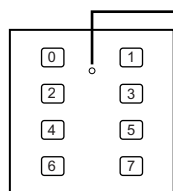
To be able to use the device in such installation, an application controller is necessary.

Following table shows the instances and which values they provide.

DALI instances	
Instance number <sup>①</sup>	Explanation
0 – 7	Push button DALI Part 301

① The order of the instances is visible in the wiring diagram.

Behind every instance 2 feedback LED's are located. The LEDs can be switched on or off if the Application controller supports this feature.



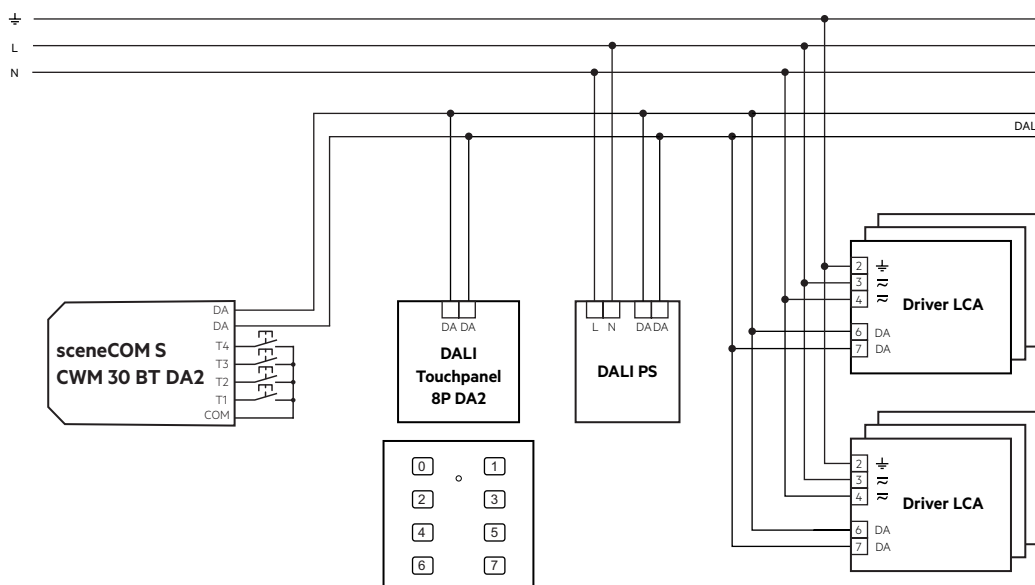
In addition a feedback LED is build in in the top middle. This LED lights up red briefly when a button is pressed. So the user gets an optical feedback every time he pushes a button.

1.2 Glow wire test

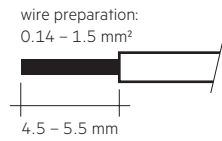
according to EN 61347-2-11 passed for temperatures up to 850°C.

2. Installation / wiring

2.1 Wiring diagram



### 2.2 Wiring type and cross section



For wiring use stranded wire with ferrules or solid wire from 0.14 to 1.5 mm<sup>2</sup>.

### 2.3 Safety instructions:

- **DALI is not SELV.** Apply the installation instructions for mains voltage.
- Installation: fixed only, in a clean and dry environment.
- Supply: via DALI control line only; no mains voltage allowed.
- DALI control line: use standard installation material for low-voltage systems (< 1000 V); only tree, linear and star topologies permitted; cores may be reverse connected.
- Terminals D1/D2: do not connect with mains line.
- Terminals: when using solid conductors, connect only one per terminal.
- Handle with care, the glass may be damaged if dropped, burned, punctured or crushed.
- Static electricity, sweat, oil and other impurities on your hand or on the touch panel may result in a not responsive touchscreen. If this happens please make sure to clean the touch panel and your hands.
- The device may only be used for the application area specified.
- Relevant health and safety regulations must be observed.
- While assembling and installing the device, the voltage supply must be disconnected.
- Only qualified personnel may assemble, install and commission the device.
- If an error occurs, dangerous voltage levels may be present at the DALI terminals and on the DALI control line.

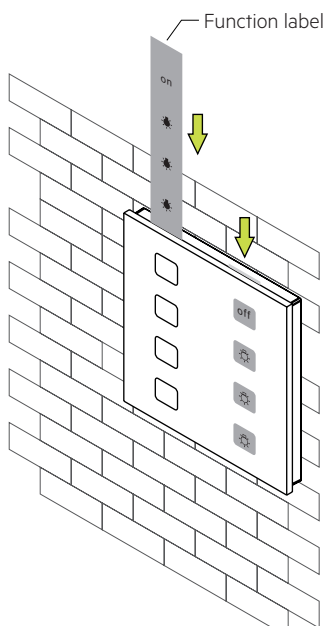
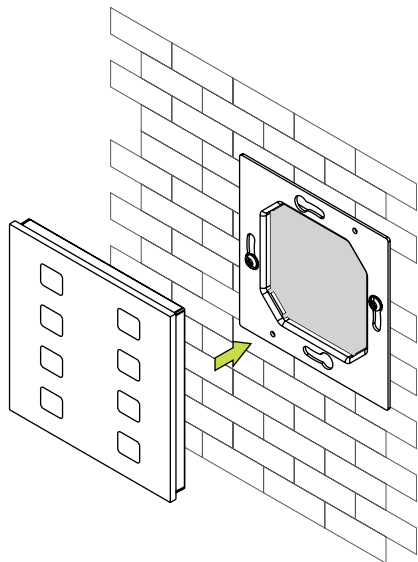
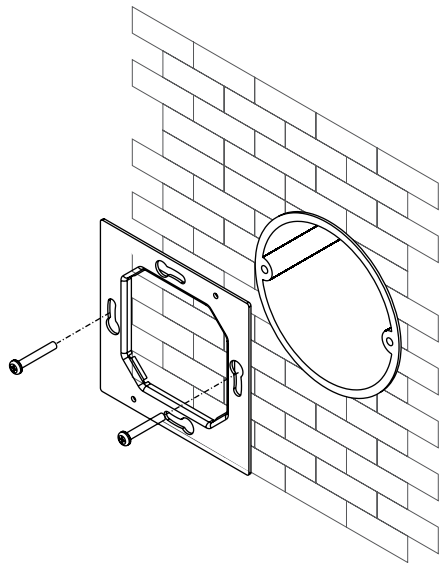


There is a risk of electric shock when touching these terminals in case of failure.

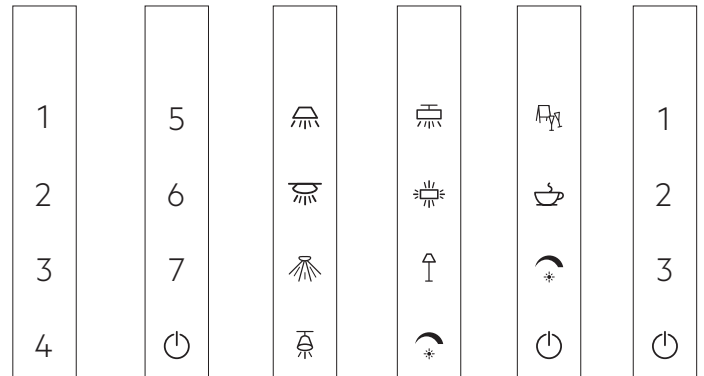
Note: In some countries basic insulated control terminals are to be marked with this symbol.

**2.4 Installation:**

Push button function label can be printed and customized, to better indicate whatever functions configured to the push buttons.  
Following illustration visualizes the installation:



Examples labels:



**3. Miscellaneous**

**3.1 Disposal**



According to the WEEE directive return old equipment at appropriate collection facilities.

**3.2 Additional information**

Additional technical information at [www.tridonic.com](http://www.tridonic.com) → Technical Data

Guarantee conditions at [www.tridonic.com](http://www.tridonic.com) → Services

Lifetime declarations are informative and represent no warranty claim.  
No warranty if device was opened.